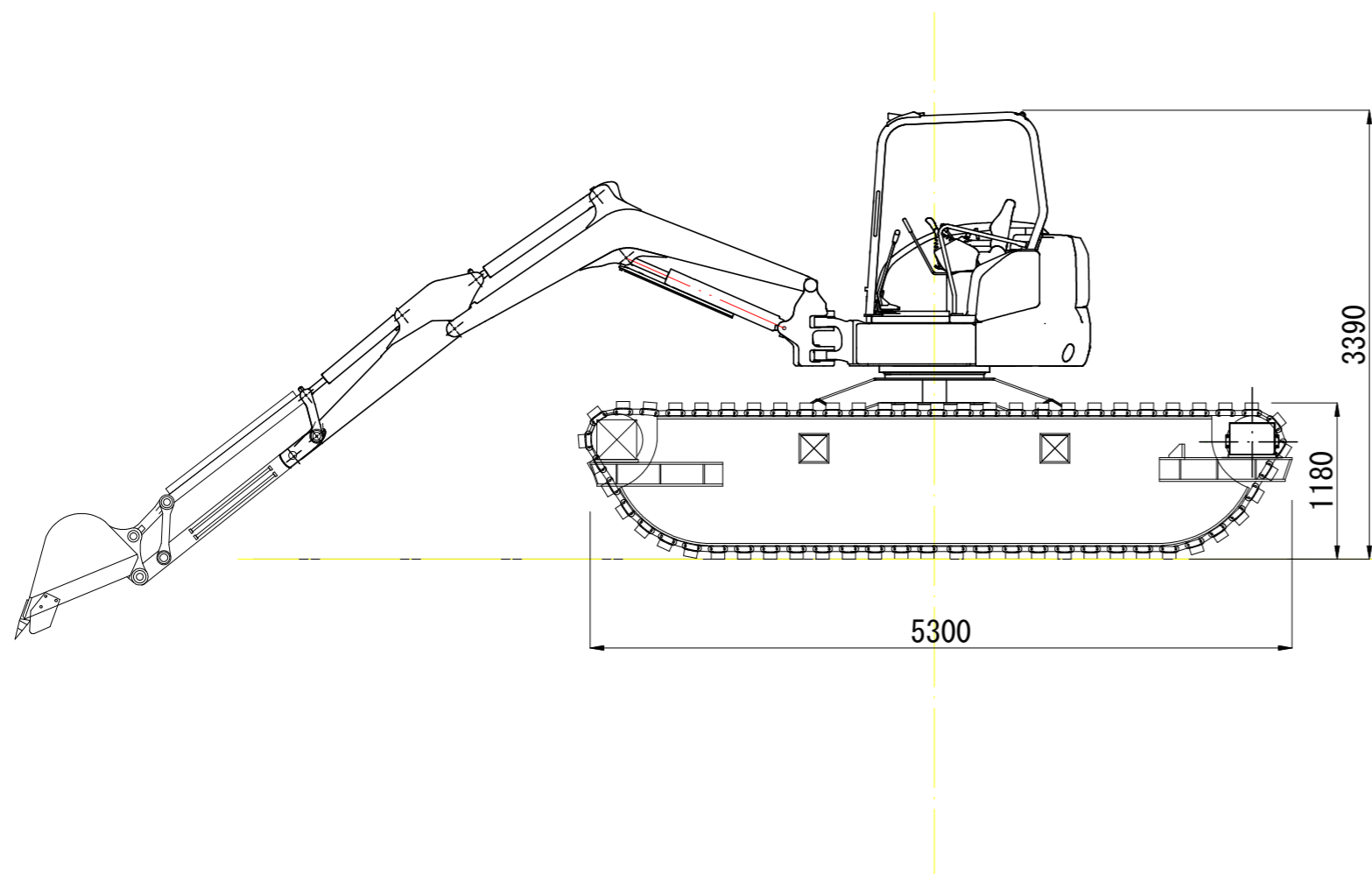


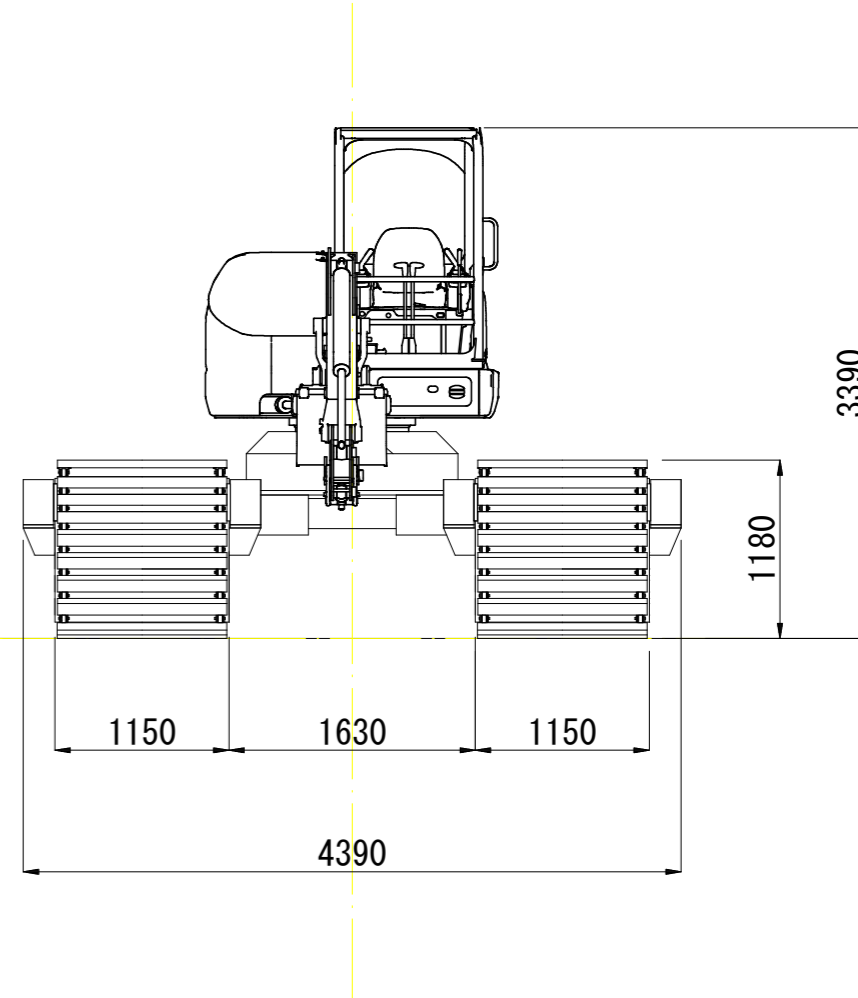
# 0.2m<sup>3</sup>泥上掘削機 概要図


S=1/50

## 側面図



## 正面図



					TITLE			 TOKO KAIHATSU KANSAI CO., LTD.		
REV.	ITEM	MODIFICATION	DATE	NAME	ALL DIM. IN	SCALE	MATERIAL		CODE	PROJECT
DRAWN BY:		CHECKED:		APPROVED:						
DATE		DATE		DATE						